



Advanced Card Systems Ltd.
Card & Reader Technologies

ACR1281U-C1

USB Dual Interface Reader



Technical Specifications V1.09



Table of Contents

1.0.	Introduction	3
2.0.	Features	4
3.0.	Typical Applications	5
4.0.	Technical Specifications	6



1.0. Introduction



ACR1281U-C1 DualBoost II is the second generation of ACS's ACR128 DualBoost Reader. It is a dual interface reader that can access any contact and contactless smart cards following the ISO 7816 and ISO 14443 standards. ACR1281U-C1 enables one to conventionally integrate both separate and independent applications for contact and contactless technologies into one device and one card.

The DualBoost Series is PC/SC-compliant for both contact and contactless interfaces. It makes use of high-speed communication for contactless cards at a maximum of 848 Kbps, which makes it suitable for highly demanding applications. It also provides intelligent support for hybrid

and combi cards, such that it detects a contactless card even if it is inserted in the contact card slot. Lastly, it has a built-in ISO 7816 (Class A) SAM slot, which can be used together with a SAM card, for added security in both contact and contactless applications.

With additional features such as USB firmware upgradeability, contact memory card support and extended APDU support, the ACR1281U-C1 DualBoost II is an all-in-one, cost-effective and powerful dual interface reader designed to provide you with great flexibility and convenience.



2.0. Features

- USB Full Speed Interface
- CCID-compliant
- Smart Card Reader:
 - Contactless Interface:
 - Read/Write speed of up to 848 Kbps
 - Built-in antenna for contactless tag access, with card reading distance of up to 50 mm (depending on tag type)
 - Supports ISO 14443 Part 4 Type A and B cards and MIFARE® Classic series
 - Built-in anti-collision feature (only one tag is accessed at any time)
 - Supports extended APDU (max. 64 KB)
 - Contact Interface:
 - Supports ISO 7816 Class A, B, and C (5 V, 3 V and 1.8 V) cards
 - Supports CAC (Common Access Card)
 - Supports PIV (Personal Identity Verification Card)
 - Supports microprocessor cards with T=0 or T=1 protocol
 - Supports memory cards
 - Supports PPS (Protocol and Parameters Selection)
 - Features Short Circuit Protection
 - Supports extended APDU (max. 64 KBytes for T=1; max. 512+10 Bytes for T=0)
 - SAM Interface:
 - One SAM slot
 - Supports ISO 7816 Class A SAM cards
- Application Programming Interface:
 - Supports PC/SC
 - Supports CT-API (through wrapper on top of PC/SC)
- Built-in Peripherals:
 - Two user-controllable LEDs
 - User-controllable buzzer
- USB Firmware Upgradability
- Supports Android™ 3.1 and later¹
- Compliant with the following standards:
 - ISO 14443
 - ISO 7816
 - PC/SC
 - CCID
 - CE
 - FCC
 - RoHS
 - REACH
 - Microsoft® WHQL

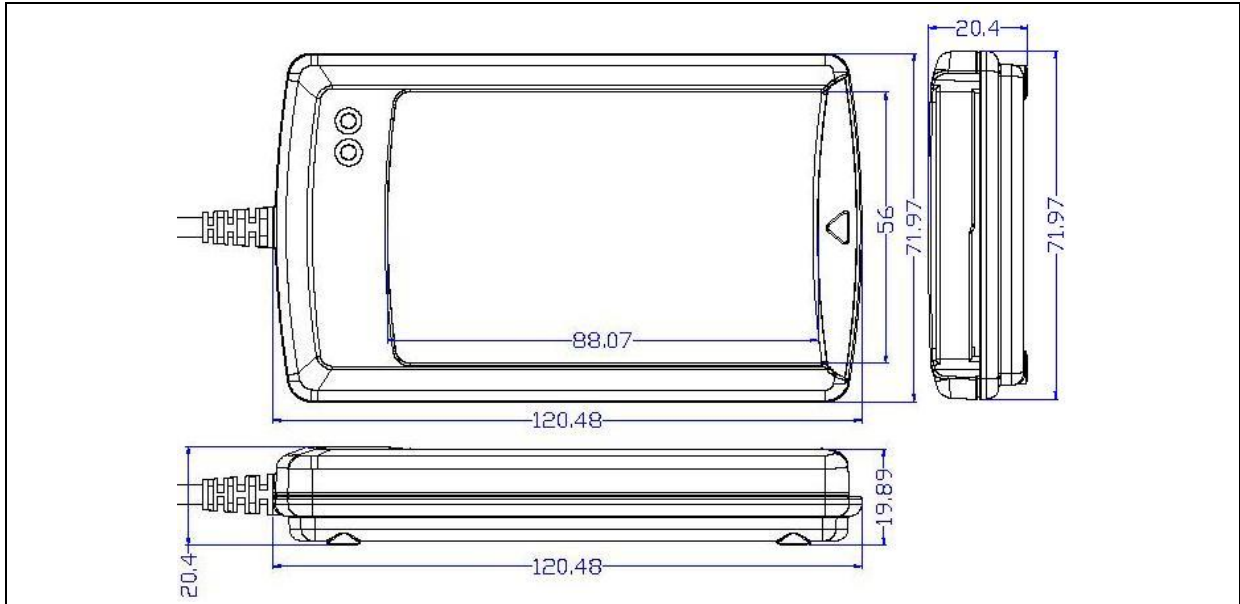
¹ Uses an ACS-defined Android Library



3.0. Typical Applications

- e-Government
- e-Banking and e-Payment
- e-Healthcare
- Transportation
- Network Security
- Access Control
- Loyalty Program

4.0. Technical Specifications



Physical Characteristics

Dimensions 120.5 mm (L) × 72.0 mm (W) × 20.4 mm (H)
Weight 140 g
Color Black

USB Host Interface

Protocol USB CCID
Connector Type Standard Type A
Power Source From USB port
Speed USB Full Speed (12 Mbps)
Supply Voltage 5 V
Supply Current Max. 200 mA
Cable Length 2.0 m, Fixed

Contactless Smart Card Interface

Standard ISO 14443 A and B Parts 1-4
Protocol ISO 14443 T=CL for ISO 14443-4-compliant cards
..... T=CL Emulation for MIFARE Classic
Operating Frequency 13.56 MHz
Operating Distance Up to 50 mm (depending on tag type)
Smart Card Read/Write Speed 106 Kbps, 212 Kbps, 424 Kbps, 848 Kbps
Antenna Size 65 mm × 60 mm

Contact Smart Card Interface

Number of Slots 1 Full-sized Card Slot
Standard ISO 7816, Class A, B, C (5 V, 3 V, 1.8 V)
Protocol T=0; T=1; Memory Card Support
Supply Current Max. 60 mA
Smart Card Read/Write Speed 9.6 Kbps – 420 Kbps
Short Circuit Protection (+5) V/GND on all pins
Clock Frequency 4.80 MHz
Card Connector ICC Slot: Landing
Card Insertion Cycles Min. 200,000

SAM Card Interface

Number of Slot 1 Standard SIM-sized Card Slot
Standard ISO 7816, Class A (5 V)
Protocol T=0; T=1
Card Connector Type SAM Slot 0: Contact

Built-in Peripherals

LED 2 single-color: Red and Green
Buzzer Monotone

Other Feature

Firmware Upgrade Supported



Operating Conditions

Temperature 0 °C – 60 °C
Humidity Max. 90% (non-condensing)
MTBF 500,000 hrs

Application Programming Interface

PC-linked mode..... PC/SC
..... CT-API (through wrapper on top of PC/SC)

Certifications/Compliance

ISO 7816, ISO 14443, USB Full Speed, PC/SC, CCID, CE, FCC, RoHS, REACH
Microsoft® WHQL

Device Driver Operating System Support

Windows® XP, Windows® Vista™, Windows® 7, Windows® 8, Windows® 8.1, Windows® 10,
Windows® Server 2003, Windows® Server 2008, Windows® Server 2008 R2, Windows® Server 2012,
Windows® Server 2012 R2, Windows® Server 2016
Linux®, Mac OS®, Solaris, Android™ 3.1 and later



Android is a trademark of Google LLC. The Android robot is reproduced or modified from work created and shared by Google and used according to terms described in the Creative Commons 3.0 Attribution License.
Linux® is the registered trademark of Linus Torvalds in the U.S. and other countries.
Mac OS is a trademark of Apple Inc.
Microsoft, Windows and Windows Vista are registered trademarks of Microsoft Corporation in the United States and/or other countries.
MIFARE and MIFARE Classic are registered trademarks of NXP B.V. and are used under license.